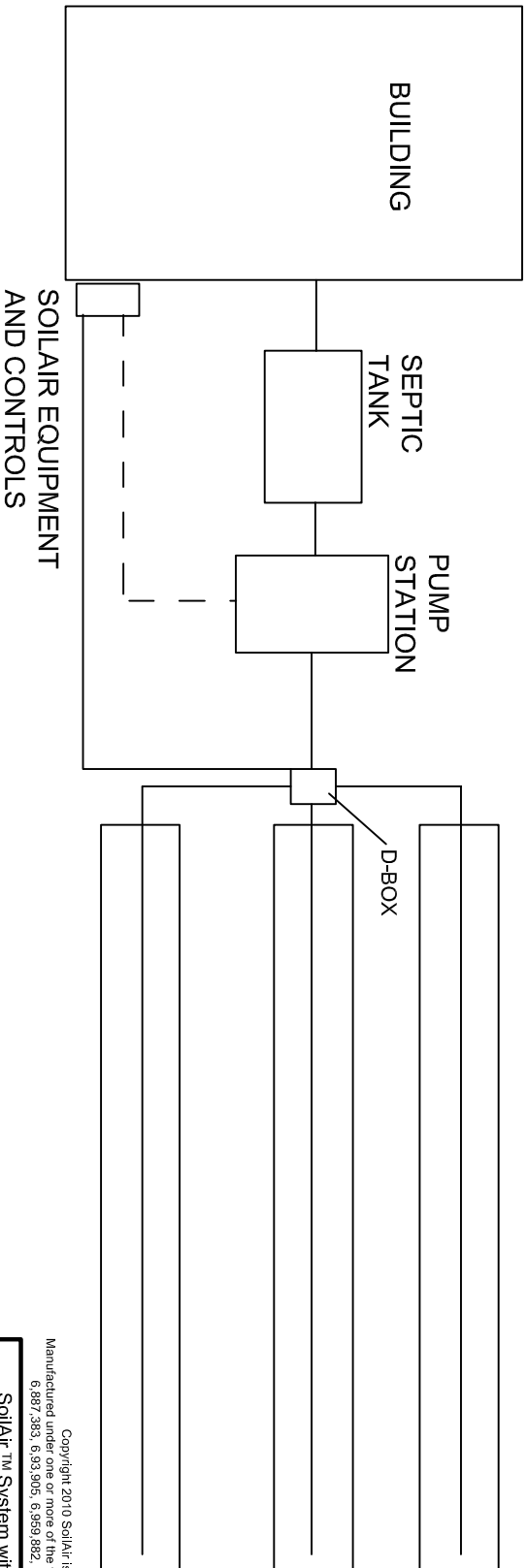
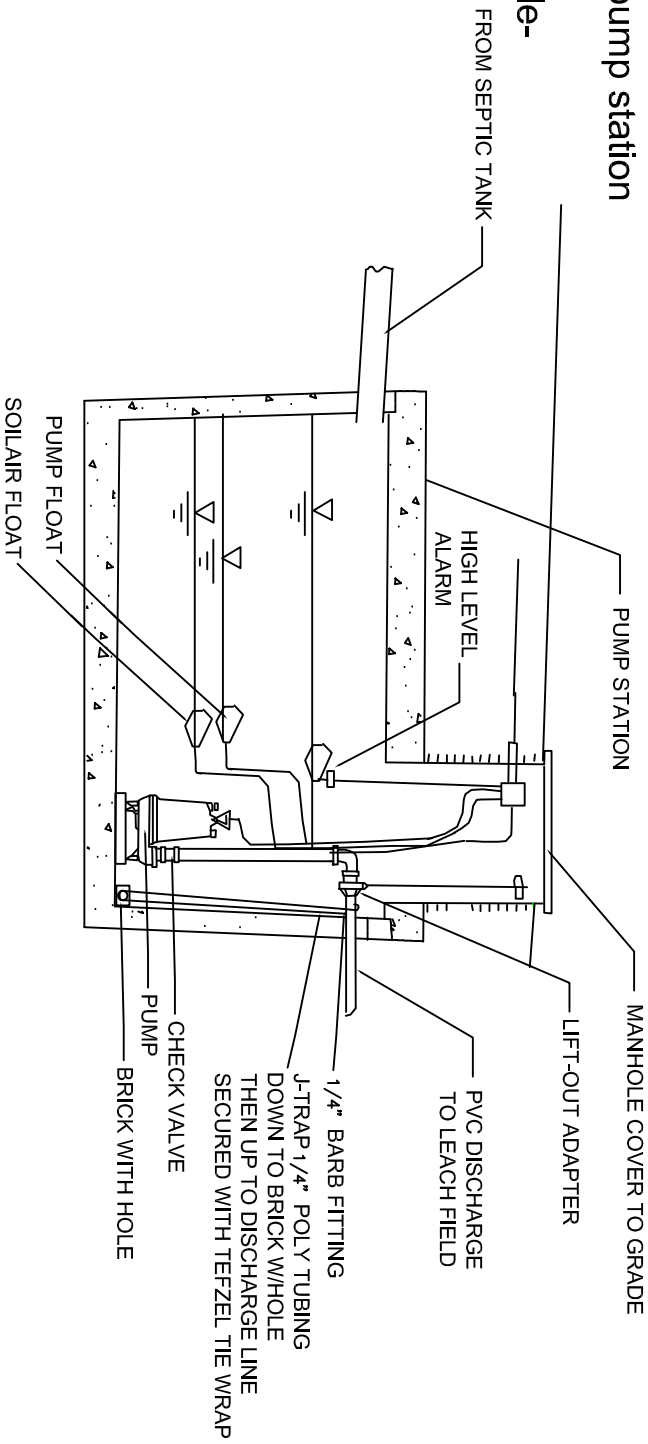


SoilAir System
with demand dosed pump station
(typical)
-Not to Scale-



Copyright 2010 SoilAir is a trademark of GEOMATRIX, LLC
Manufactured under one or more of the following patents: 6,485,647, 6,726,401, 6,914,886,
6,887,383, 6,933,905, 6,959,882, 6,989,464, 7,157,011, 7,309,434, 7,744,759

SoilAir™ System with demand dosed pump station
GEOMATRIX, LLC
Old Saybrook, CT
860-510-0730

SCALE	NONE	REV.	B
DATE	11/16/10	ACAD No.	PUMPSTATION.DWG
DRAWN BY:	ERP	SHEET	1 OF 1