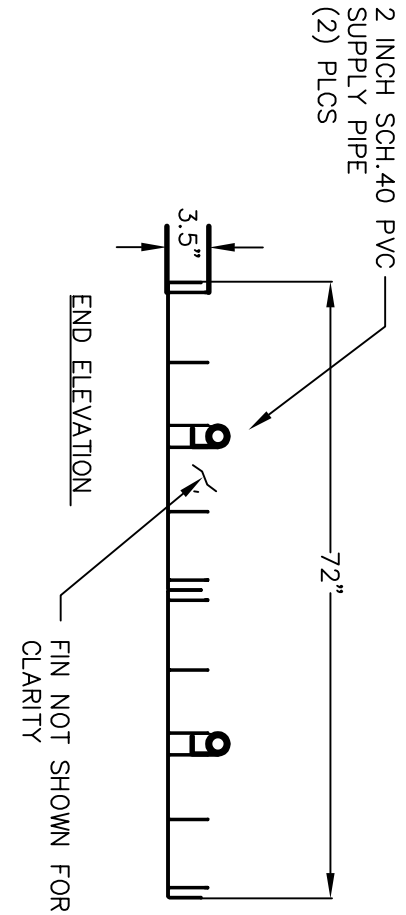


S-Box Leaching Systems must be configured for use with a SoilAir™ System

S-BOX SB1 - 3.5-72

PLAN/ ELEVATION VIEW

January 25, 2011



S-BOX™ LEACHING SYSTEM

Geomatrix Systems, LLC., Old Saybrook, CT

860-510-0730

Copyright 2015 Geomatrix Systems, LLC - Manufactured under one or more of the following US Patent Numbers: 7,744,759, 7465,390, 7,374,670, 7,309,434, 7,157,011,6,969,464, 6,959,882, 6,923,905, 6,887,383, 6,814,866, 6,726,401, 6,485,647. Other patents pending.
S-Box and SoilAir are trademarks of Geomatrix.